

Feature -

Rating: 1.7A, 13VDC,
SPDT or DPDT, lock / non-lock function

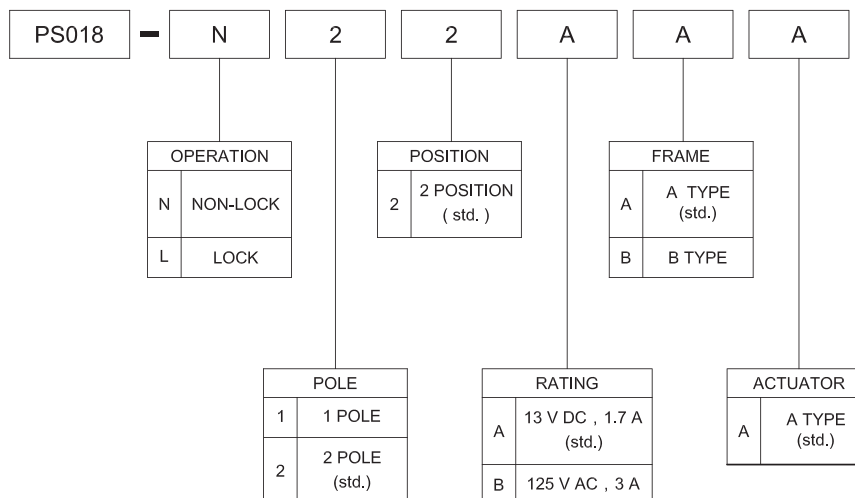
Application -

- automotive
- consumer products
- computer products
- instrumentation
- communication equipments

► SPECIFICATIONS

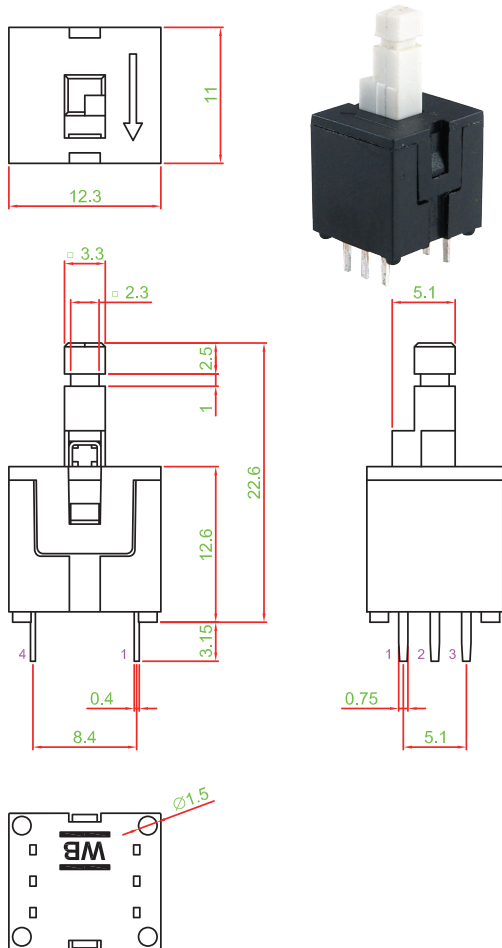
SWITCH SPECIFICATIONS	
POLE - POSITION	1P2T or 2P2T , Lock type are Available
CONTACT RATING	13 V DC , 1.7 A or 125 V AC , 3 A
CONTACT RESISTANCE	50 mΩ MAX. 1.5 V DC ; 100 mA , by method of voltage DROP
INSULATION RESISTANCE	100 MΩ MIN. 500 V DC
DIELECTRIC STRENGTH	Breakdown is not allowable ; 500 V AC for 1 minute
OPERATING FORCE	400 ± 200 gf
OPERATING LIFE	10,000 cycles
OPERATING TEMPERATURE RANGE	-20°C ~ 70°C
TOTAL TRAVEL	3.5 ± 0.3 mm

► HOW TO ORDER

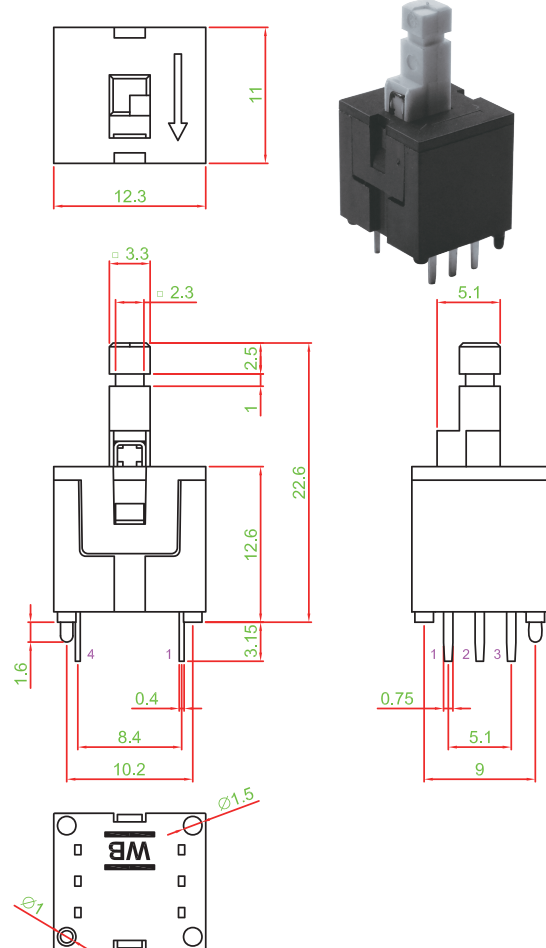


▶ DIMENSION

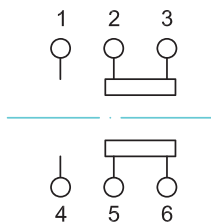
PS018-N22AAA



PS018-N22ABA

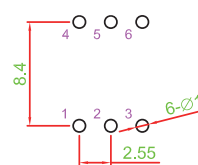


▶ CIRCUIT

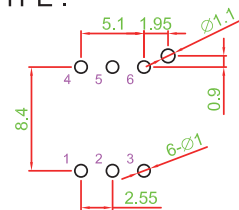


▶ P.C.B LAYOUT

A TYPE :



B TYPE :



▶ MATERIAL

- ACTUATOR : PA + GF
- FRAME : PA + GF
- TERMINAL : BRONZE SILVER PLATING
- SPRING : STAINLESS STEEL